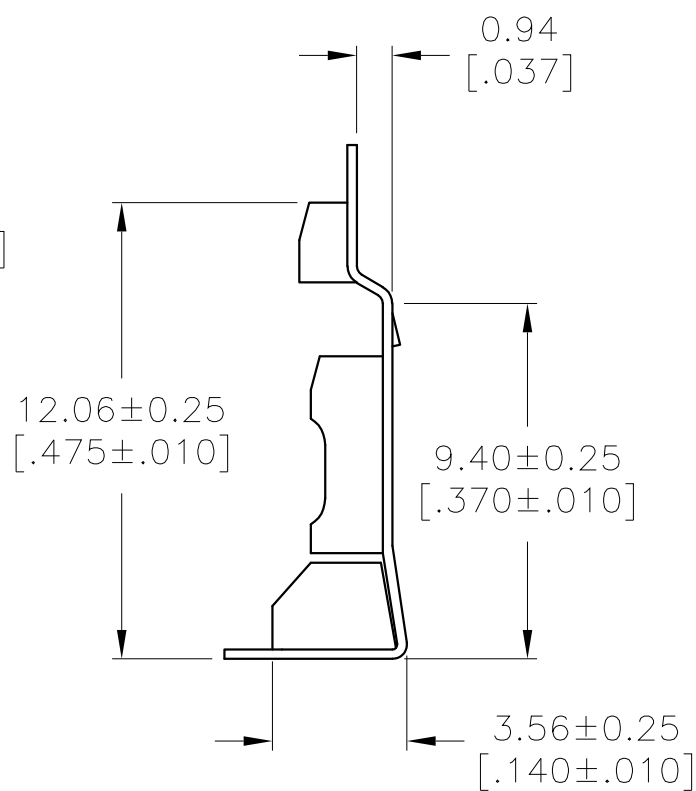
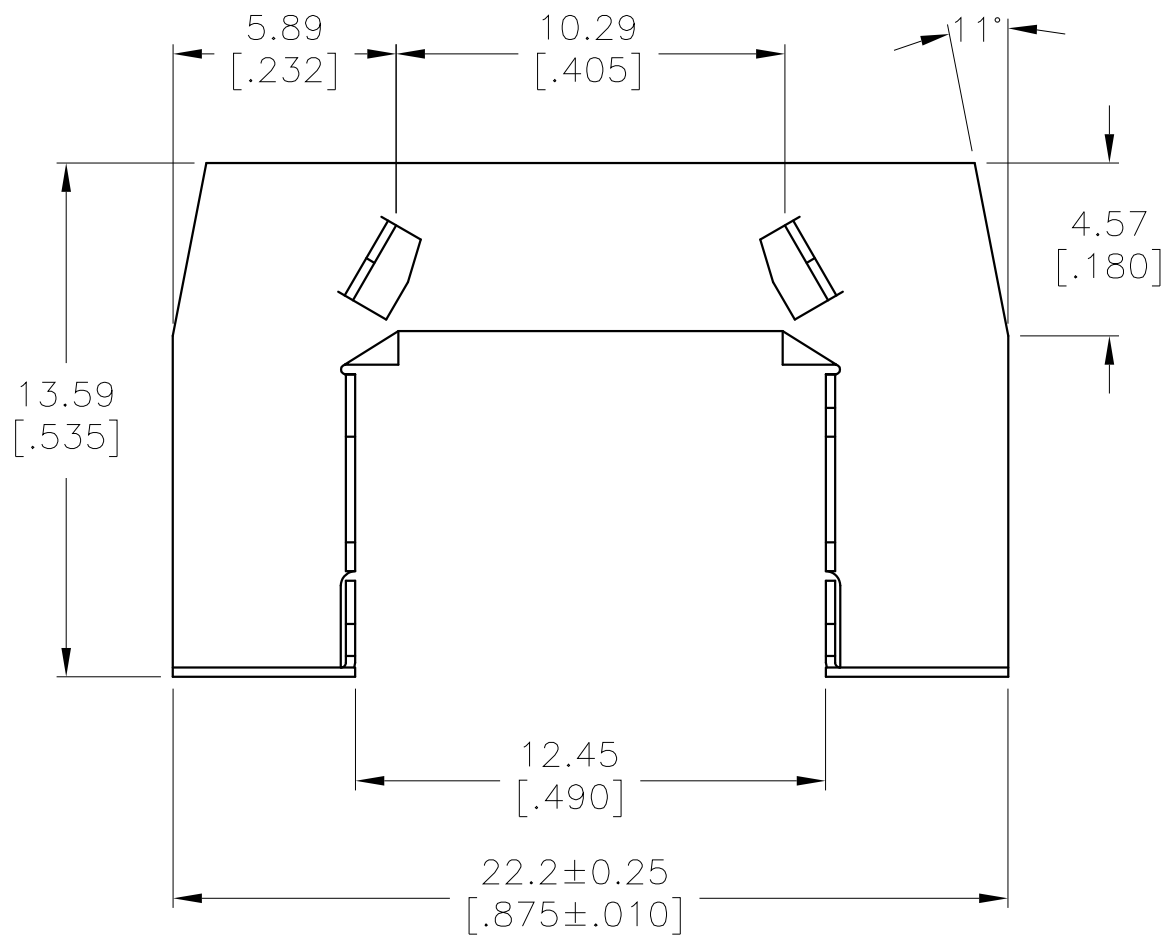
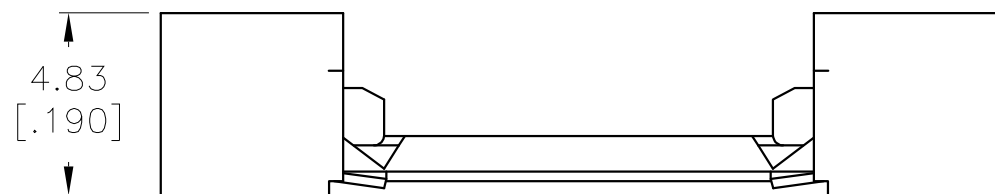


THIS DRAWING IS UNPUBLISHED. RELEASED FOR PUBLICATION
 © COPYRIGHT BY TYCO ELECTRONICS CORPORATION. ALL INTERNATIONAL RIGHTS RESERVED.

LOC GP	DIST 00	REVISIONS			
P	LTR	DESCRIPTION	DATE	DWN	APVD
	A	REVISED PER ECO-08-011979	15MAY08	JDP	CWR



1 BRASS.
 2 0.00076[.000030] MIN TIN OVER
 0.00127[.000050] MIN NICKEL.



1761181-1
 PART NUMBER

THIS DRAWING IS A CONTROLLED DOCUMENT.		DWN B. MCMASTER 20APR04	Tyco Electronics Corporation Harrisburg, PA 17105-3608		
DIMENSIONS: mm [INCHES]		CHK C. ROHDE 20APR04	NAME ADAPTER, 8 INTO 16 POS, SDL		
TOLERANCES UNLESS OTHERWISE SPECIFIED:		APVD M. WALMSLEY 20APR04	PRODUCT SPEC		
0 PLC ± - 1 PLC ± - 2 PLC ± - 3 PLC ± 0.13[.005] 4 PLC ± - ANGLES ± 3°		APPLICATION SPEC		RESTRICTED TO	
MATERIAL 1	FINISH 2	WEIGHT -	SIZE A3	CAGE CODE 00779	DRAWING NO C-1761181
CUSTOMER DRAWING			SCALE 5:1	SHEET 1 OF 1	REV A